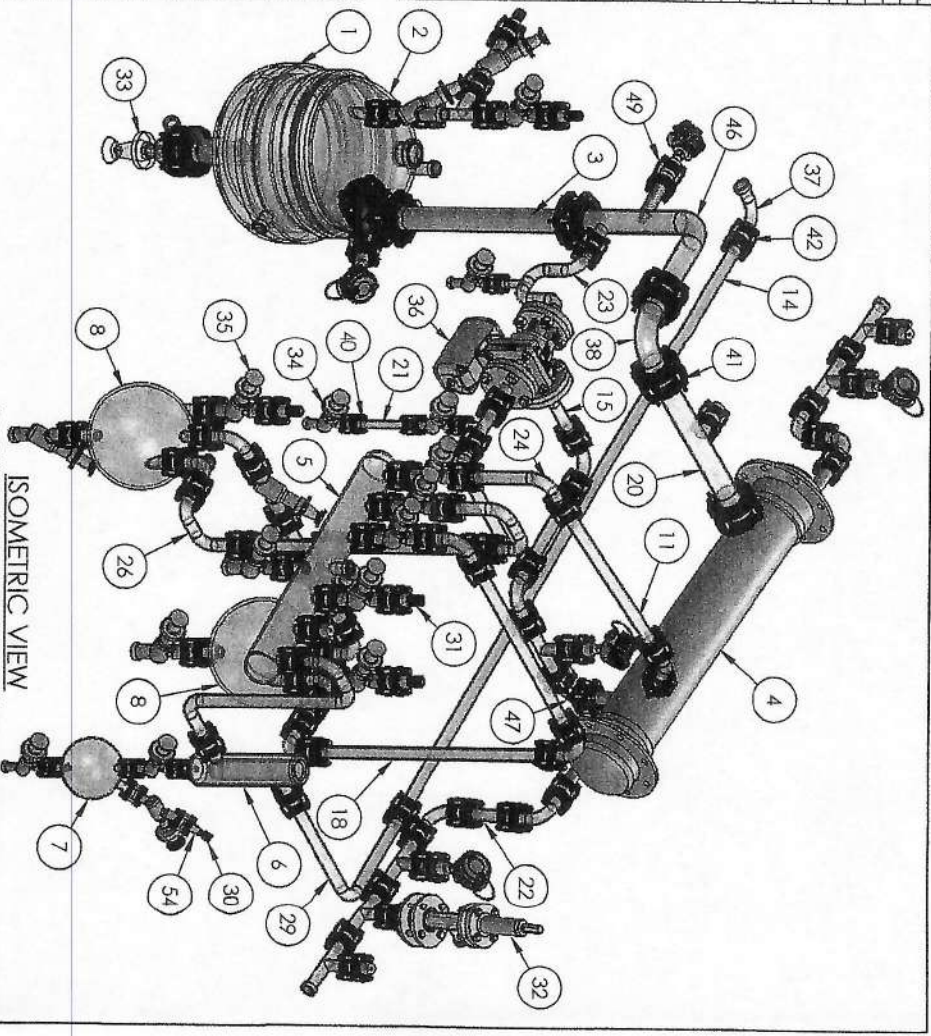


ITEM NO.	PART NO.	DESCRIPTION	QTY.	SHEET NO.
1	R-100	20 LITER JACKETED REACTOR ASSEMBLY		
2	R-100 (TOP HEAD)	DN40 TOP COVER		
3	E-100	DN50 ASSEMBLY PACKED COLUMN SHELL AND TUBE ASSEMBLY		
4	E-103	VACUUM MANIFOLD ASSEMBLY		
5	E-101	ICE TRAP ASSEMBLY		
6	1K-102	2-LITER SPHERICAL VESSEL ASSEMBLY		
7	1K-100	10-LITER SPHERICAL VESSEL ASSEMBLY		
8	100010293388	SENSOR ASSEMBLY		
9	100010293389	SENSOR ASSEMBLY		
10		POOL-1		
11		POOL-2		
12		POOL-3		
13		POOL-4		
14		POOL-5		
15		POOL-6		
16		POOL-7		
17		POOL-8		
18		POOL-9		
19		POOL-10		
20		POOL-11		
21		POOL-12		
22		TUBE-1		
23		TUBE-2		
24		TUBE-3		
25		TUBE-4		
26		TUBE-5		
27		TUBE-6		
28		TUBE-7		
29		TUBE-8		

ITEM NO.	PART NO.	DESCRIPTION	QTY.	SHEET NO.
30	52195K53	COMPRESSION FITTING FOR CHEMICALS	1	
31	52195K66	COMPRESSION FITTING FOR CHEMICALS	5	
32		T ^m PRESSURE RELIEF VALVE ASSEMBLY	6	
33		BOTTOM OUTLET VALVE	14	
34		DN15 DRAIN VALVE	14	
35		3-WAY VALVE	14	
36		DN25 90° ELBOW	14	
37		DN50 90° ELBOW	14	
38		DN25 45° ELBOW	9	
39		DN15 90° ELBOW	7	
40		DN50 90° ELBOW	7	
41		DN15 FERULITE CLAMP	7	
42		DN50 FERULITE CLAMP	7	
43		DN25 X DN25 TEE	8	
44		DN25 X DN15 REDUCING TEE	8	
45		PLASTIC FLANGE	16	
46		DN50 90° ELBOW/277mm I.G.	16	
47		DN25 90° SHORT ELBOW	16	
48		DN50 45° ELBOW	16	
49		DN25 FERULITE CLAMP 67mm I.G.	19	
50		DN25 FERULITE CLAMP 100mm I.G.	3	
51		DN25 HERMOWEL 1.52.50mm I.G.	3	
52		DN50 HERMOWEL 1.52.50mm I.G.	1	
53		DN50 HERMOWEL 450mm I.G.	1	
54		DN15 PTFE ADAPTER	9	
55		DN25 PTFE ADAPTER	9	
56		DN25 PTFE COMPONENT	12	
57		3/4"-10 HEX BOLT 2" LG.	12	
58		3/4"-10 HEX NUT	12	
59		3/4"-10 HEX NUT	12	

TOLERANCE
UNLESS OTHERWISE SPECIFIED
FRACTIONS = ± 1/64"
DECIMALS = ± .005"
ANGLES = ± 1°

PRIVACY / CONFIDENTIAL NOTE: THIS DOCUMENT IS THE PROPERTY OF CHEM FLOWTRONICS INC. THE DESIGN CONCEPTS AND THE INFORMATION CONTAINED HEREIN ARE PROPRIETARY AND SUBMITTED IN CONFIDENCE. THEY ARE NOT TRANSFERABLE AND MUST BE USED ONLY FOR THE PURPOSE FOR WHICH THIS DOCUMENT IS EXPRESSLY SUBMITTED. THEY MUST NOT BE DISCLOSED, REPRODUCED, LOANED OR USED IN ANY OTHER MANNER WITHOUT THE EXPRESS WRITTEN CONSENT OF CHEM FLOWTRONICS INC. CHEM FLOWTRONICS INC. ASSUMES NO RESPONSIBILITY OR LIABILITY FOR THE USE OF THIS DOCUMENT OR THE DESIGN CONCEPTS AND INFORMATION CONTAINED HEREIN FOR ANOTHER PROJECT, OR IN A MANNER THAT DOES NOT AGREE WITH THE ORIGINAL PURPOSE OF THIS DOCUMENT OR THE DESIGN CONCEPTS AND INFORMATION CONTAINED HEREIN. ALL PATENT RIGHTS ARE RESERVED. ACCEPTANCE OF THE DELIVERY OF THIS DOCUMENT CONSTITUTES THE AGREEMENT TO THESE TERMS AND CONDITIONS.



NOTE:
ALL DIMENSIONS IN MM

ISOMETRIC VIEW

REV. 0	ISSUED FOR APPROVAL	IDV	CHECKED BY	DATE
REV. 1	REVISIONS/DESCRIPTION	DRAWN BY	CHECKED BY	DATE

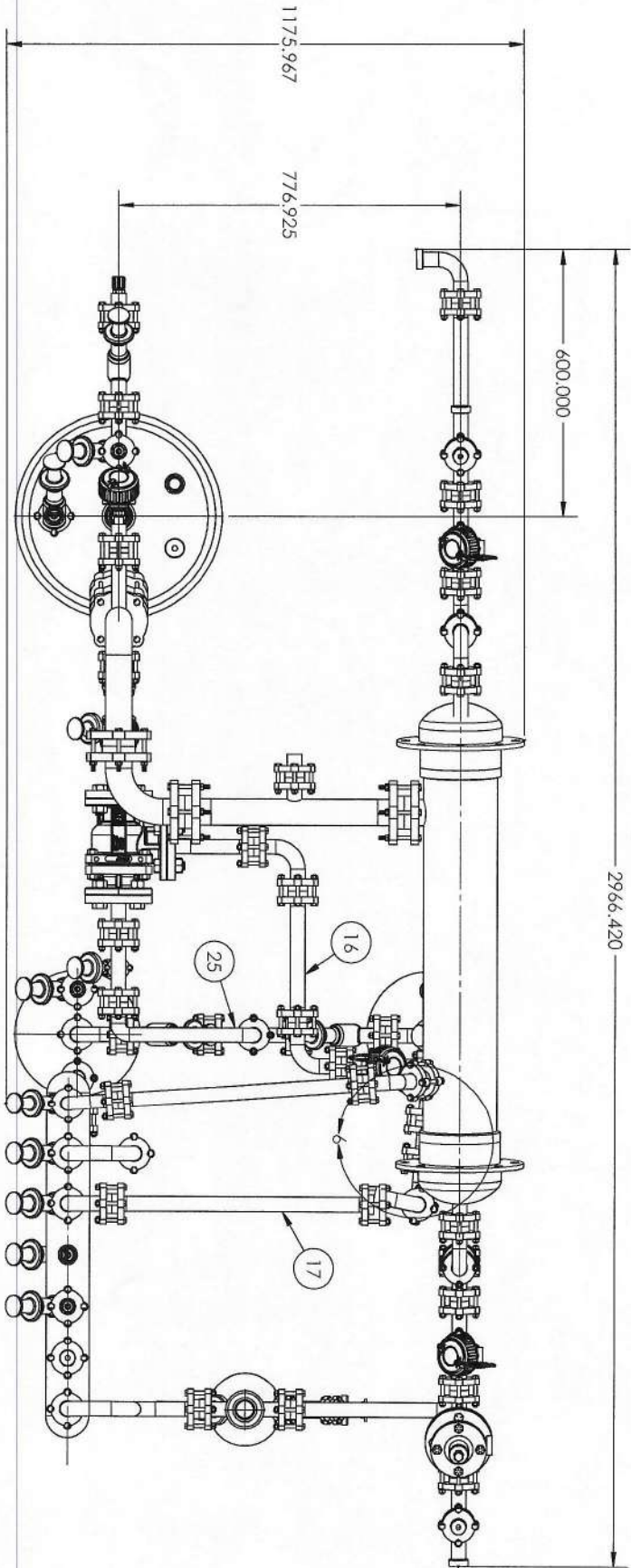
CHEM FLOWTRONICS

195 PATERSON AVE
LITTLE FALLS, NJ 07424
PHONE: (973) 785-0001
FAX: (973) 785-9051

CUSTOMER: **20 LITER PILOT PLANT SYSTEM**

APPROVAL DRAWING

IDV	10/10/2022	NONE	0
DRAWN BY	CHECKED BY	DATE	SCALE
DWG. NO.			SHEET 1 OF 19
			SHEET NO.



TOP VIEW

TOLERANCE
UNLESS OTHERWISE SPECIFIED
FRACTIONS = ± 1/64"
DECIMALS = ± .005"
ANGLES = ± 1°

PRIVECY / CONFIDENTIAL NOTE:
ALL INFORMATION CONTAINED ON THIS DOCUMENT IS THE PROPERTY OF CHEM FLOWTRONICS INC. THE DESIGN CONCEPTS AND THE INFORMATION CONTAINED HEREIN ARE PROPRIETARY AND SUBMITTED IN CONFIDENCE. THEY ARE NOT TRANSFERABLE AND MUST BE USED ONLY FOR THE PURPOSE FOR WHICH THIS DOCUMENT IS EXPRESSLY SUBMITTED. THEY MUST NOT BE REPRODUCED, COPIED, LOANED OR USED IN ANY OTHER MANNER WITHOUT THE EXPRESS WRITTEN CONSENT OF CHEM FLOWTRONICS INC. CHEM FLOWTRONICS INC. ASSUMES NO RESPONSIBILITY FOR THE FITNESS OR PURPOSE OF THE DOCUMENT. IN NO EVENT SHALL THIS DOCUMENT OR THE DESIGN CONCEPTS AND INFORMATION CONTAINED HEREIN BE USED IN ANY OTHER MANNER DETRIMENTAL TO THE INTERESTS TO CHEM FLOWTRONICS INC. ALL PATENT RIGHTS ARE RESERVED. ACCEPTANCE OF THE DELIVERY OF THIS DOCUMENT CONSTITUTES THE AGREEMENT TO THESE TERMS AND CONDITIONS.

REV.	ISSUED FOR APPROVAL	REV.	ISSUED FOR APPROVAL	REV.	ISSUED FOR APPROVAL
0		0		0	
	REVISIONS/DESCRIPTION		REVISIONS/DESCRIPTION		REVISIONS/DESCRIPTION

CUSTOMER :

20 LITER PILOT PLANT SYSTEM
APPROVAL DRAWING

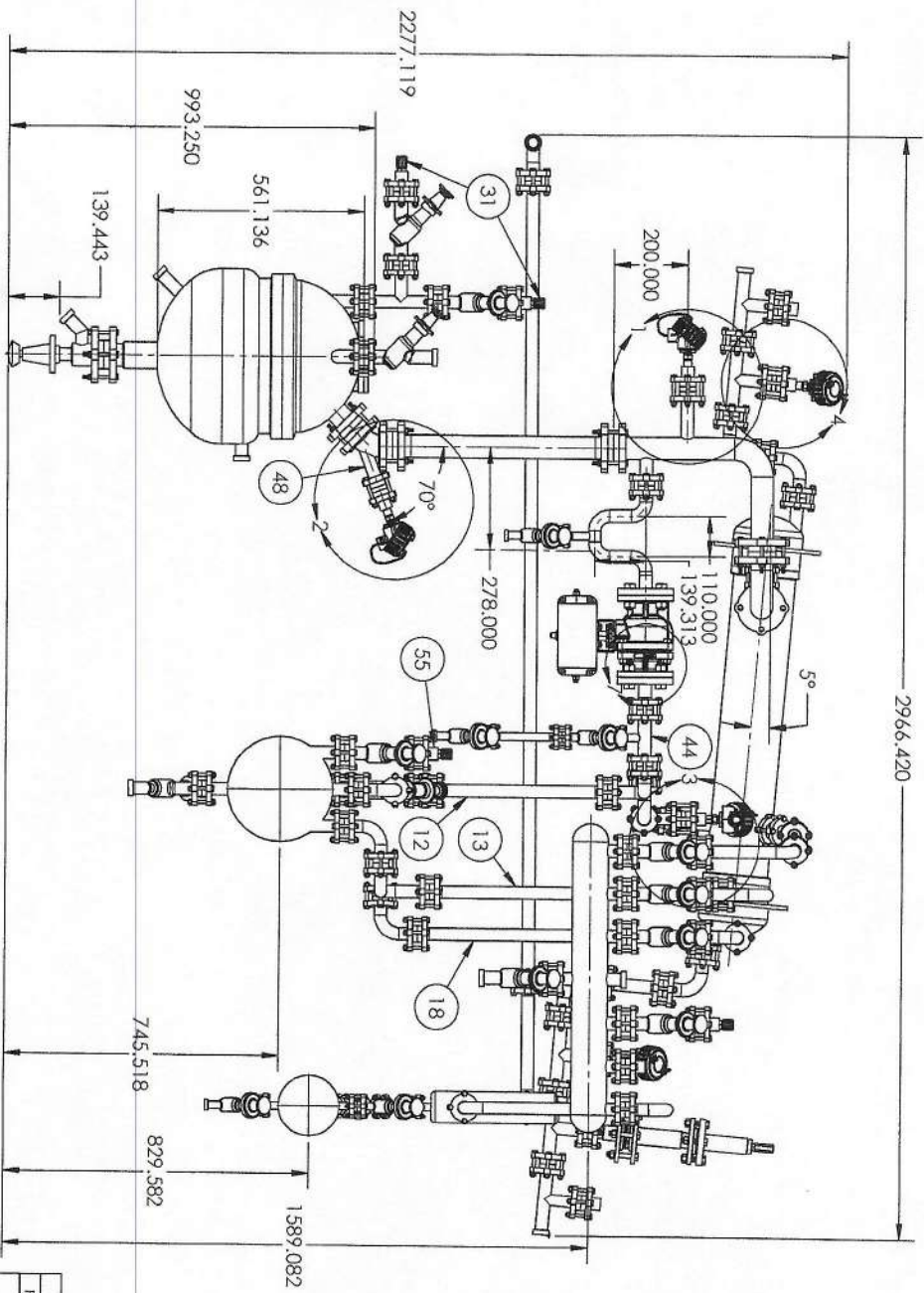
IDV	CHECKED BY	DATE	SCALE	REV NO.
		10/10/2022	NONE	0
DWG. NO.				SHEET 4 OF 19
				SHEET NO.



195 PATERSON AVE
LITTLE FALLS, NJ 07424

PHONE: (973) 786-0001
FAX: (973) 786-8051

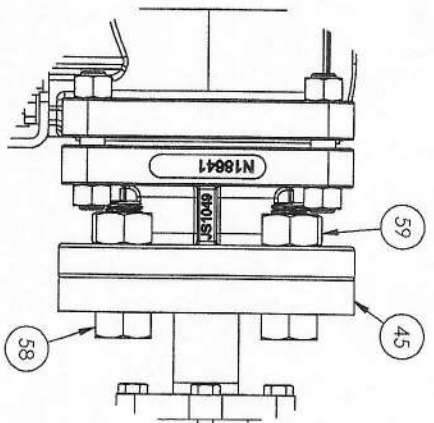
CHEM FLOWTRONICS



FRONT VIEW

TOLERANCE
UNLESS OTHERWISE SPECIFIED
FRACTIONS = ± 1/64"
DECIMALS = ± .005"
ANGLES = ± 1°

PRIVACY / CONFIDENTIAL NOTE:
ALL INFORMATION CONTAINED ON THIS DOCUMENT IS THE PROPERTY OF CHEM FLOWTRONICS INC. THE DESIGN CONCEPTS AND THE INFORMATION CONTAINED HEREIN ARE PROPRIETARY AND SUBMITTED IN CONFIDENCE. THEY ARE NOT TRANSFERABLE AND MUST BE USED ONLY FOR THE PURPOSE FOR WHICH THIS DOCUMENT IS EXPRESSLY SUBMITTED. THEY MUST NOT BE DISCLOSED, REPRODUCED, LOANED OR USED IN ANY OTHER MANNER WITHOUT THE EXPRESS WRITTEN CONSENT OF CHEM FLOWTRONICS INC. CHEM FLOWTRONICS INC. ASSUMES NO RESPONSIBILITY OR LIABILITY FOR THE USE OF THIS DOCUMENT OR THE DESIGN CONCEPTS AND INFORMATION CONTAINED HEREIN FOR ANOTHER PROJECT, OR IN A MANNER THAT DOES NOT RESULT IN FINANCIAL LOSS TO CHEM FLOWTRONICS INC. WHEN, IN NO EVENT SHALL THIS DOCUMENT OR THE DESIGN CONCEPTS AND INFORMATION CONTAINED HEREIN BE USED IN ANY OTHER MANNER DETRIMENTAL TO THE INTERESTS OF CHEM FLOWTRONICS INC. ALL PATENT RIGHTS ARE RESERVED. ACCEPTANCE OF THIS DOCUMENT CONSTITUTES THE AGREEMENT TO THESE TERMS AND CONDITIONS.



DETAIL Z

REV.	ISSUED FOR APPROVAL	REV.	CHECKED BY	DATE
0	ISSUED FOR APPROVAL	IDV		
	REVISIONS/DESCRIPTION	DRAWN BY		

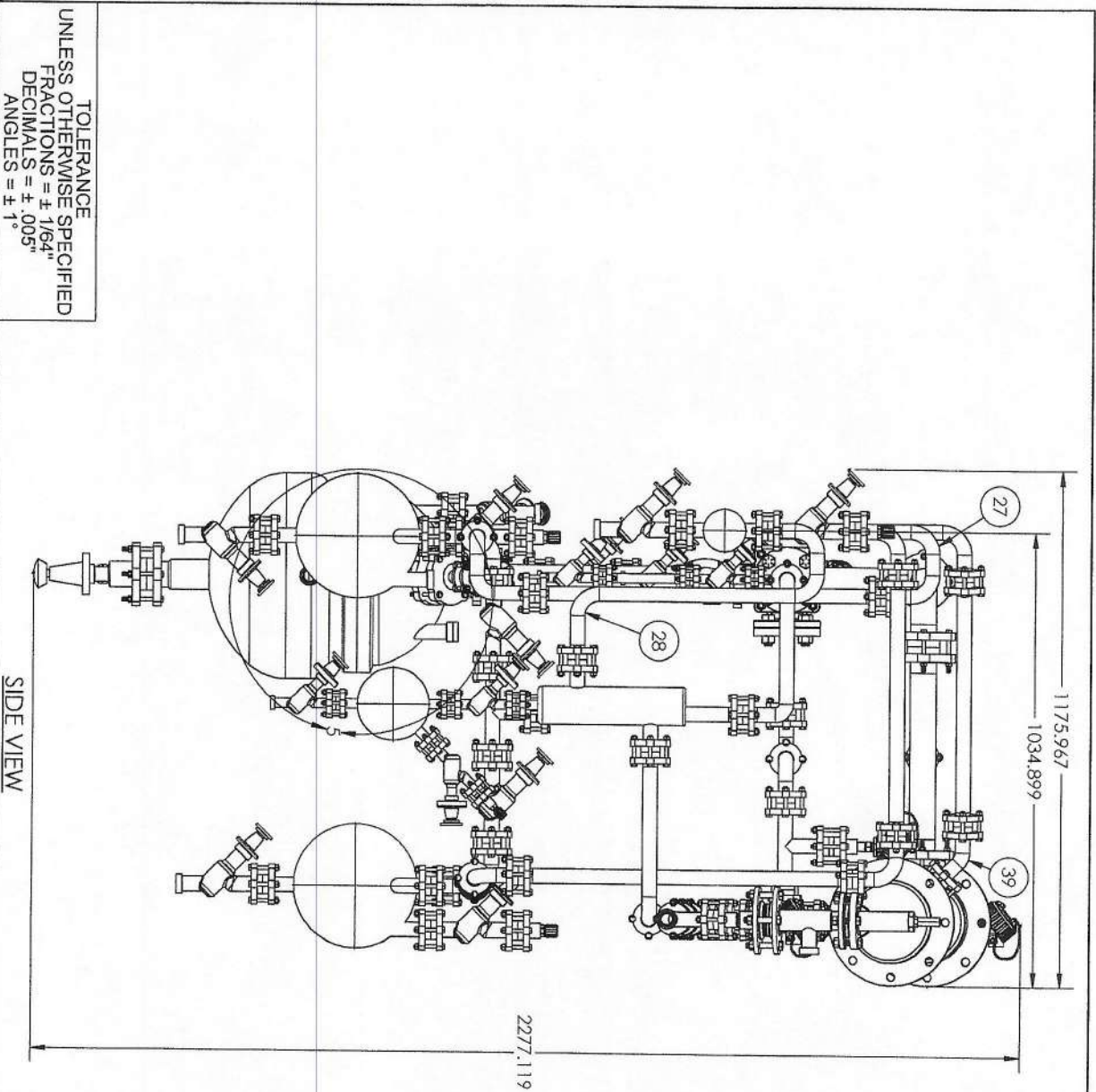
CUSTOMER :

20 LITER PILOT PLANT SYSTEM
APPROVAL DRAWING

DWG. NO.	CHECKED BY	DATE	SCALE	REV. NO.	SHEET NO.
		10/10/2022	NONE	0	
					\$HEET 2 OF 19
					SHEET NO.



CHEM FLOWTRONICS
195 PATERSON AVE
LITTLE FALLS, NJ 07424
PHONE: (973) 785-0001
FAX: (973) 785-8051



SIDE VIEW

TOLERANCE
UNLESS OTHERWISE SPECIFIED
FRACTIONS = $\pm 1/64$ "
DECIMALS = $\pm .005$ "
ANGLES = $\pm 1^\circ$

PRIVACY / CONFIDENTIAL NOTE: ALL INFORMATION CONTAINED ON THIS DOCUMENT IS THE PROPERTY OF CHEM FLOWTRONICS INC. THE DESIGN CONCEPTS AND THE INFORMATION CONTAINED HEREIN ARE PROPRIETARY AND SUBMITTED IN CONFIDENCE. THEY ARE NOT TRANSFERABLE AND MUST BE USED ONLY FOR THE PURPOSE FOR WHICH THIS DOCUMENT IS EXPRESSLY SUBMITTED. THEY MUST NOT BE REPRODUCED, COPIED, LOANED, OR USED IN ANY OTHER MANNER WITHOUT THE EXPRESS WRITTEN CONSENT OF CHEM FLOWTRONICS INC. CHEM FLOWTRONICS INC. ASSUMES NO RESPONSIBILITY FOR THE DESIGN CONCEPTS AND INFORMATION CONTAINED HEREIN FOR ANOTHER PROJECT, OR IN A MANNER THAT DOES NOT RELATE TO THE FITNESS OR PURPOSE OF THE DOCUMENT WHEN NO DESIGN CONCEPTS AND INFORMATION CONTAINED HEREIN BE USED IN ANY OTHER MANNER DETRIMENTAL TO THE INTERESTS OF CHEM FLOWTRONICS INC. ALL PATENT RIGHTS ARE RESERVED. ACCEPTANCE OF THE DELIVERY OF THIS DOCUMENT CONSTITUTES THE AGREEMENT TO THESE TERMS AND CONDITIONS.

REV.	ISSUED FOR APPROVAL	REV. NO.	ISSUED FOR APPROVAL	REV. NO.
0	ISSUED FOR APPROVAL	0	ISSUED FOR APPROVAL	0
	REVISIONS/DESCRIPTION		REVISIONS/DESCRIPTION	

CUSTOMER: **CHEM FLOWTRONICS**

195 PATERSON AVE
LITTLE FALLS, NJ 07424
PHONE: (973) 785-0001
FAX: (973) 785-0051

20 LITER PILOT PLANT SYSTEM			
APPROVAL DRAWING			
IDV	10/10/2022	NONE	0
DRAWN BY	CHECKED BY	DATE	SCALE
DWG. NO.			
			\$HEET 3 OF 19
			SHEET NO.