



## **CHEM FLOWTRONICS**

### **360° Full View "Smooth Bore" Sight Flow Indicators**

#### **Model #350**

Chem Flowtronics Model 350, Flanged 360° tubular sight Flow Indicator, with smooth bore ID borosilicate glass tube. The smooth bore ID prevents product retention regardless of sight flow mounting orientation. The 350 model comes standard with a polycarbonate shield for observation safety.

The standard model is available in 316SS or Carbon Steel wetted surfaces. Models come equipped with PTFE gaskets, and Cad plated hardware.



#### **Features:**

- 316 SS construction
- Borosilicate Smooth Bore ID Glass
- PTFE Gaskets

#### **Options:**

- Non standard face to face up to 48"
  - All stainless components
- High Pressure (see Model 375)
- Female threaded connections
- Graduations of glass cylinder
- Sanitary polished - Model 1150
  - Alloy construction
- PTFE lined - "See Photo"



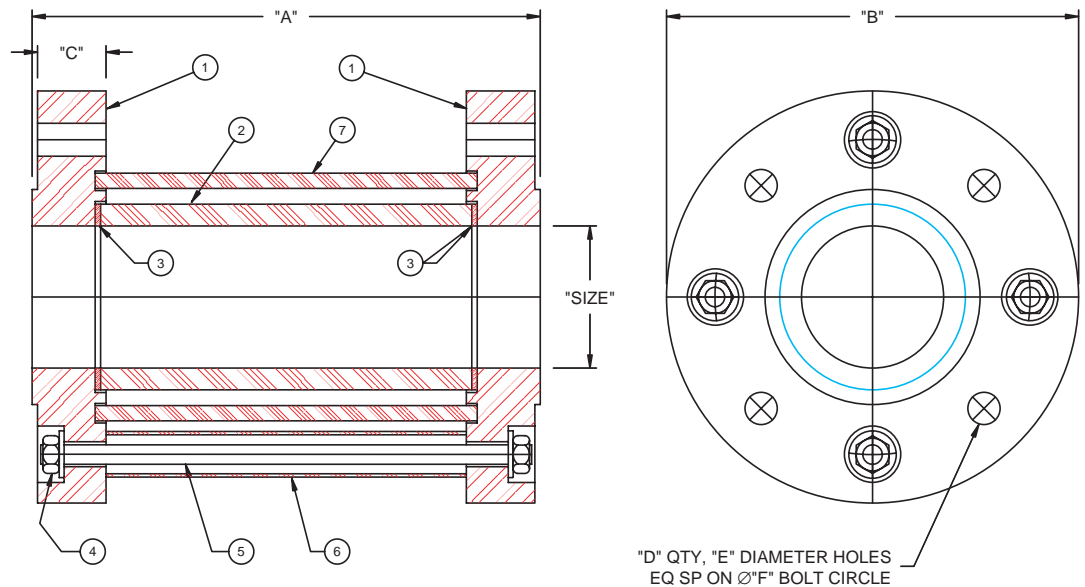
## **CHEM FLOWTRONICS**

Chem Flow Corporation  
P.O. Box 4634, Wayne NJ 07474-4635  
Tel: 800-486-3356 · 973-785-0001 · Fax: 973-785-8051  
Email: [info@chem-flowtronics.com](mailto:info@chem-flowtronics.com)  
Web: [www.chem-flowtronics.com](http://www.chem-flowtronics.com)

## Model #350

### Notes:

- Pressure Rating up to 150 PSIG
- Temperature Rating with Teflon Gaskets: 400°F
- Other Gasket Material Available
- Available Options: Hastelloy Flanges, Special Face-to-Face Dimensions, 300lb. Flanges



DIMENSIONS, IN INCHES [mm]						
SIZE	"A"	"B"	"C"	"D"	"E"	"F"
1/2"	6.00 [152.4]	3.50 [88.9]	0.44 [11.1]	4	0.63 [15.8]	2.38 [60.3]
3/4"	6.00 [152.4]	3.88 [98.4]	0.50 [12.7]	4	0.63 [15.8]	2.75 [69.9]
1"	6.00 [152.4]	4.25 [108.0]	0.56 [14.3]	4	0.63 [15.8]	3.13 [79.4]
1 1/2"	6.00 [152.4]	5.00 [127.0]	0.68 [17.5]	4	0.75 [19.1]	3.88 [98.4]
2"	6.00 [152.4]	6.00 [152.4]	0.75 [19.0]	4	0.75 [19.1]	4.75 [120.7]
3"	6.00 [152.4]	7.50 [190.5]	0.94 [23.8]	4	0.75 [19.1]	6.00 [152.4]
4"	6.00 [152.4]	9.00 [228.6]	0.94 [23.8]	8	0.75 [19.1]	7.50 [190.5]

BILL OF MATERIAL			
ITEM NO	DESCRIPTION	MATERIAL	QTY
1	END FLANGE	316 SS	2
2	SIGHT GLASS	BOROSILICATE	1
3	GASKET	PTFE	2
4	HEX NUT	CS ZINC PLATED	4
5	TIE ROD	CS ZINC PLATED	4
6	TIE ROD COVER	PLASTIC	4
7	SAFETY SHIELD	POLYCARBONATE	1



**CHEM FLOWTRONICS**

Chem Flow Corporation  
P.O. Box 4635, Wayne NJ 07474-4635  
Tel: 800-486-3356 · 973-785-0001 · Fax: 973-785-8051  
Email: [info@chem-flowtronics.com](mailto:info@chem-flowtronics.com)  
Web: [www.chem-flowtronics.com](http://www.chem-flowtronics.com)