



CHEM FLOWTRONICS

CHEMICAL GLASS BALL VALVE

Chem Flow answers the need for a superior design Glass, Teflon® Ball Valve with bubble tight shut off, zero stem leakage, low torque, superior corrosion resistance and easy automation package along with long trouble free service.

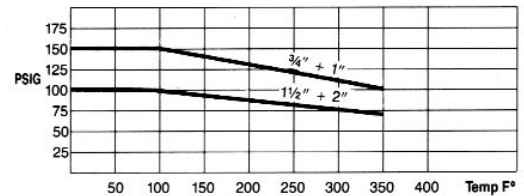
- Wetted parts of the Chem Flow valves are precision manufactured of Teflon®, Borosilicate glass. All are inert materials impervious to practically every corrosive chemical and all of the parts are manufactured in house maintaining a high quality assurance.
- Chem Flow's floating seat design provides a bubble tight shut off by isolating the body seal compression from the ball to seat compression, which also minimizes your maximum torque break away of the valve.
- Non wetted stainless steel stud for positive handle to steel stem connection.
- Integral full faced TFE envelopes permit flanging to 150 lb. flange system and or glass piping, requiring no gasketing.
- Anti blow out Halar/steel stem design.
- Available with a variety of quarter turn actuator systems as described on page two.
- Body seal achieved with 3 point compression system

allowing even distribution of load & more precise valve assembly.

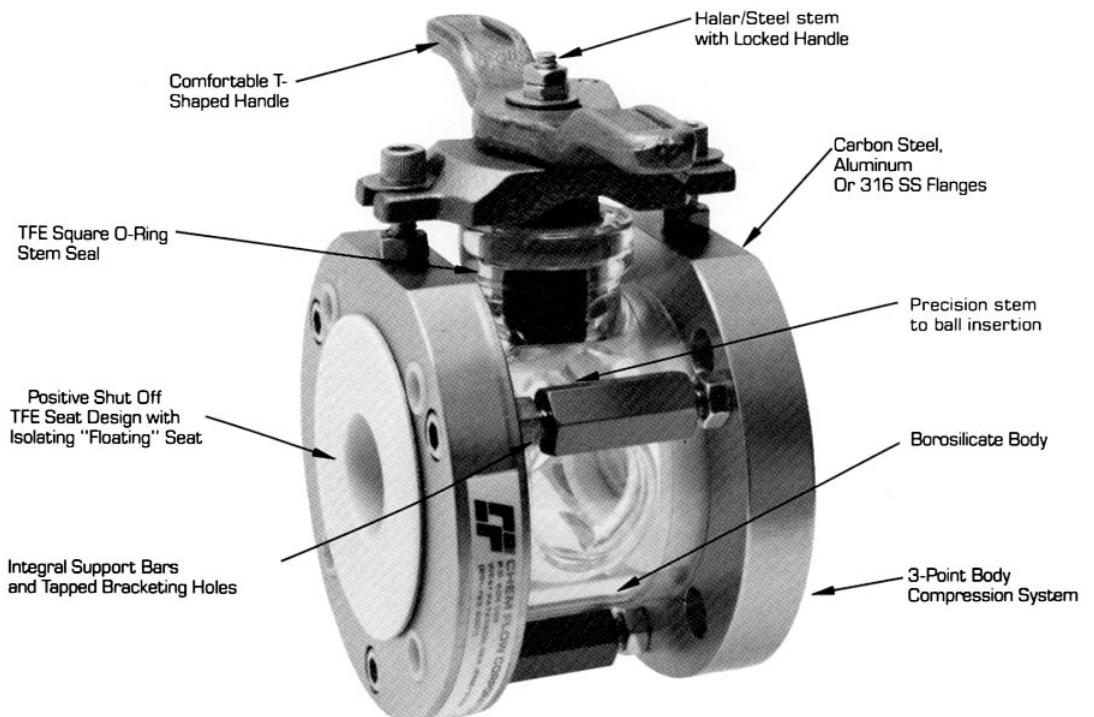
- Standard port.
- Valve serves as sight glass.
- Valve is asbestos free.

VALVE OPTIONS

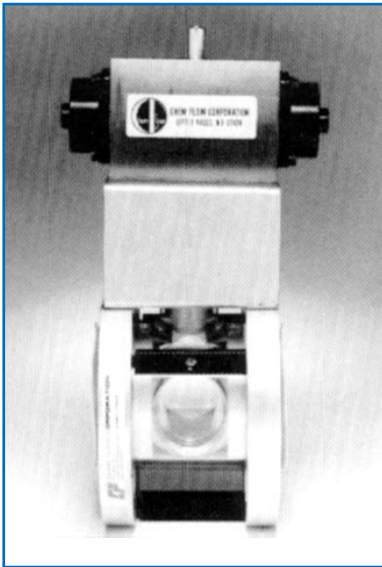
- Standard valves have carbon steel flanges, which have been zinc plated, however 316SS and aluminum are also available.
- Borosilicate glass, virgin teflon, and ceramic balls are available.
- All major steel components can be supplied teflon coated with .040 thick coating.
- Valve body can be supplied with translucent armoring.
- 6" lever handle.



NOTE: Teflon® registered trademark of E. I. DuPont.



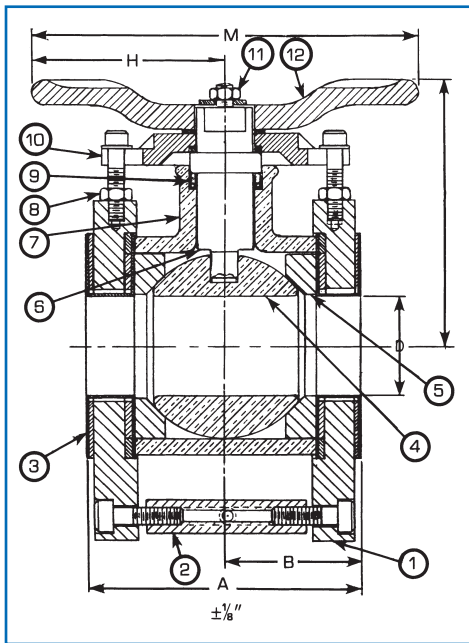
Actuation



Chem Flow Corporation Actuator Package offers the latest in actuator designs with the following features:

- Compact close coupled unit.
- Standard manual override.
- Pneumatic Systems - A. Double Acting
 [shown here] Air to open
 Air to close
 B. Spring to close
 C. Spring to open
- Electric operator available.
- Chem Flow's floating seat design allows smallest actuator package for a lightweight, economical system.
- Designed to work in conjunction with the Chem Flow valve, under rugged service conditions.
- Long cycle life.

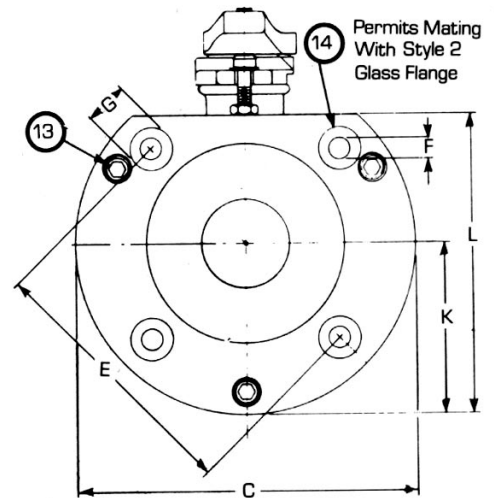
Specifications



PARTS LIST

1. Flange
2. Support
3. TFE Raised Face Envelope
4. Ball (Glass or TFE)
5. TFE Seat
6. Stem/Halar/Steel
7. Body (Glass) Pyrex
8. Lock Nut
9. Neck Seal Assy.
10. Neck Flange
11. Handle Retainer Nut
12. Handle
13. Support Bar Screw
14. Flange Bushing

DIM.	VALVE SIZE			
	3/4"	1"	1 1/2"	2"
A	2 11/16"	2 1/16"	3 13/16"	4 3/16"
B	1 11/32"	1 1/32"	1 29/32"	2 3/32"
C	4 1/4"	4 1/4"	5"	6"
D	7/8"	7/8"	1 5/16"	1 9/16"
E	2 3/4"	3 1/8"	3 7/8"	4 3/4"
F	1 1/32"	1 1/32"	1 1/32"	1 1/32"
G	1 7/32"	5/8"	1 7/32"	3/4"
H	2 1/8"	2 1/8"	3"	3"
J	3 5/32"	3 5/32"	4 1/8"	4 1/8"
K	2 1/8"	2 1/8"	2 1/2"	3"
L	4"	4"	4 3/4"	5 3/8"
M	4 1/4"	4 1/4"	6"	6"



Chem Flow Corporation
 P.O. Box 4635, Wayne NJ 07474-4635
 Tel: 800-486-3356 · 973-785-0001
 Fax: 973-785-8051
 Email: info@chem-flowtronics.com
 Web: www.chem-flowtronics.com

WARRANTY

Seller warrants its equipment against defects in workmanship and material for a period of 12 months from date of shipment from the factory under normal use and service and otherwise when such equipment is used in accordance with instructions furnished by Seller and for purposes disclosed in writing at the time of purchase, if any. Seller's liability under this warranty shall be limited to the replacement or repair, F.O.B. point of manufacture, of any defective equipment or part which, having been returned to the factory, transportation charges prepaid, has been inspected and determined by seller to be defective.

THIS WARRANTY IS IN LIEU OF ANY OTHER WARRANTY, EITHER EXPRESSED OR IMPLIED, AS TO DESCRIPTION, QUALITY MERCHANTABILITY, FITNESS FOR ANY PARTICULAR PURPOSE OR USE, OR ANY OTHER MATTER.

Under no circumstances shall Seller be liable to Buyer or any third party for any loss of profits or other direct or indirect costs, expenses, losses or consequential damages arising out of or as a result of any defects in or failure of its products or any part or parts thereof or arising out of or as a result of parts or components incorporated in Seller's equipment but not supplied by the Seller.