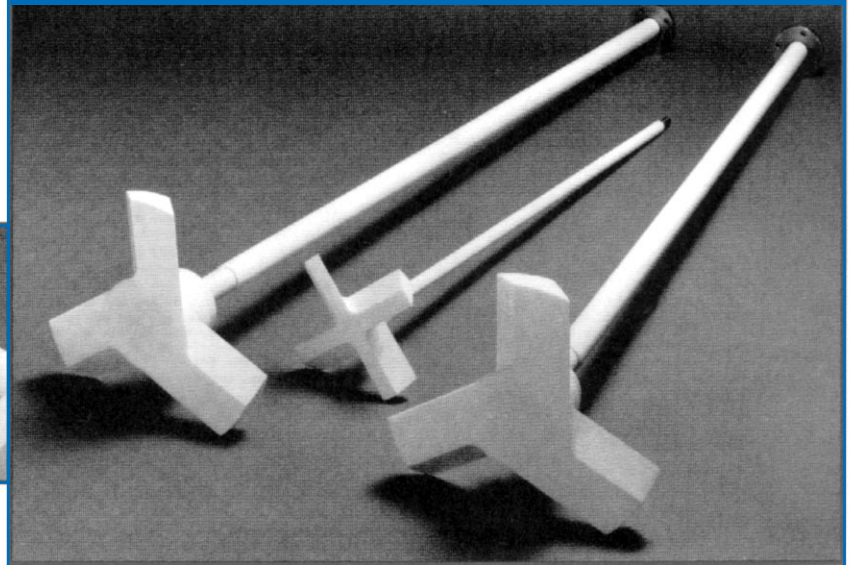




CHEM FLOWTRONICS

T.F.E. Agitators

Prop & Shaft Assembly



Features:

316 Stainless Steel Non-wetted shaft for strength and precision

TFE Shaft sleeves 1/8" wall

Solid TFE propellers, precision machined for balance, sizes from 2½" through 24", all mixing configurations

Any chucking for adapting to your existing drives

Wide temperature range from -50°F to 400° F

TFE is inert with an extremely low coefficient of friction

High speed durability

Lab sizes available

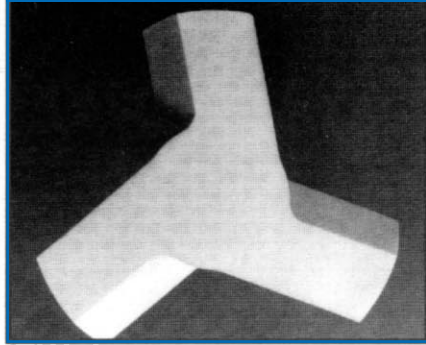


CHEM FLOWTRONICS

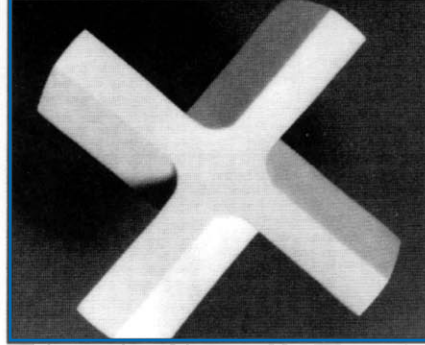
Chem Flow Corporation
P.O. Box 4635, Wayne NJ 07474-4635
Tel: 800-486-3356 · 973-785-0001 · Fax: 973-785-8051
Email: info@chem-flowtronics.com
Web: www.chem-flowtronics.com

Propellers

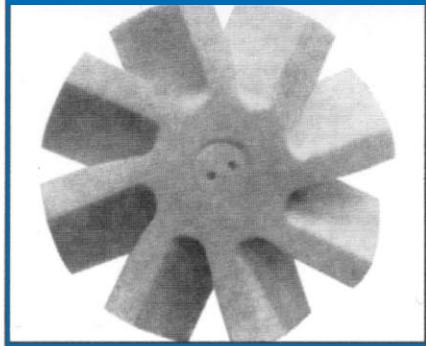
3 Blade Axial



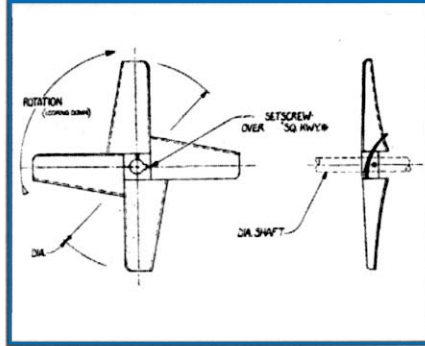
4 Blade Axial



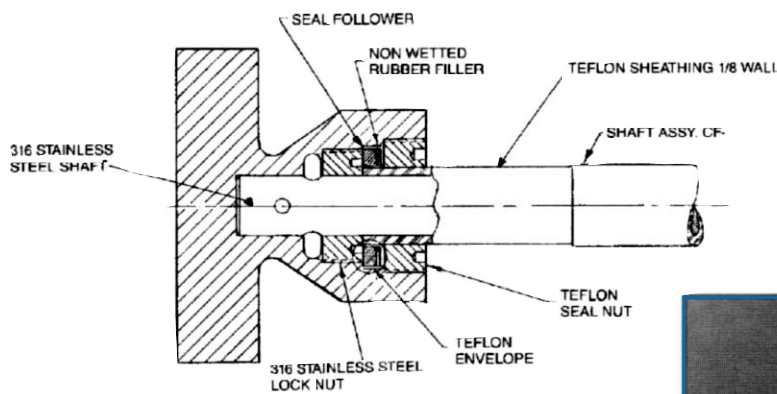
Turbine Axial Design



Hyflo Alloy



Shaft to Propeller Seal



Chem Flow Corporation
P.O. Box 4635, Wayne NJ 07474-4635
Tel: 800-486-3356 · 973-785-0001 · Fax: 973-785-8051
Email: info@chem-flowtronics.com
Web: www.chem-flowtronics.com

